



Illuminations 4915 Electric Fireplace

Glass Frame Installation Instructions (sku 95000964)

Packing List

- Glass Frame
- (4) Mounting Brackets (2 left, 2 right)

Installation

- 1 Remove and discard the four side glass brackets on the glass frame (see Figure 1, item "a"). Attach the mounting brackets included with this kit to the back of the glass frame, using the nuts removed earlier - **make sure the brackets are installed with the notch on the lower side of the bracket** (see Figure 1, item "b").

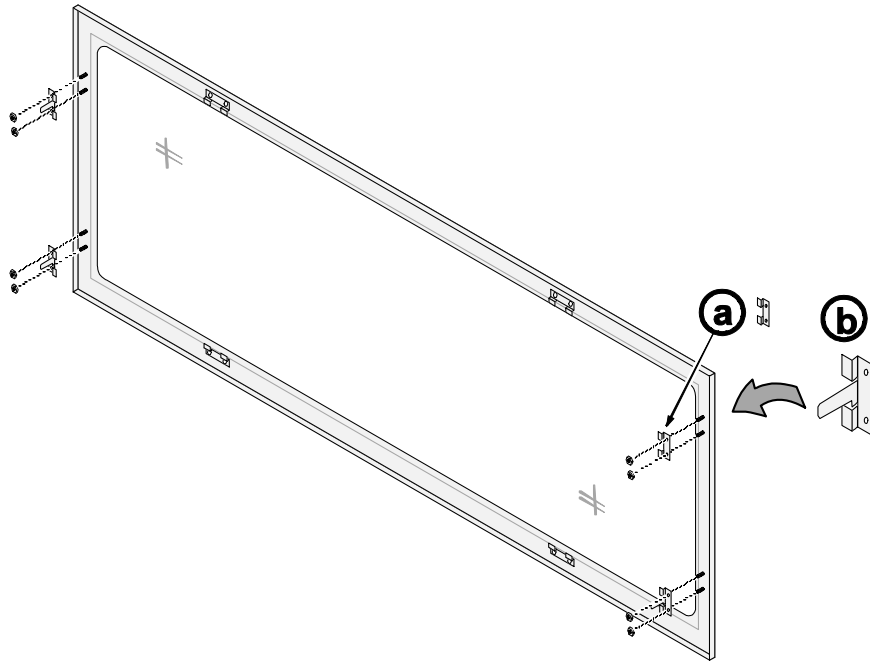


Figure 1

- 2 Attach the glass frame to the fireplace by inserting the tabs on the mounting brackets into the slots on the fireplace (see Figure 2). Magnets hold the mounting brackets in place.

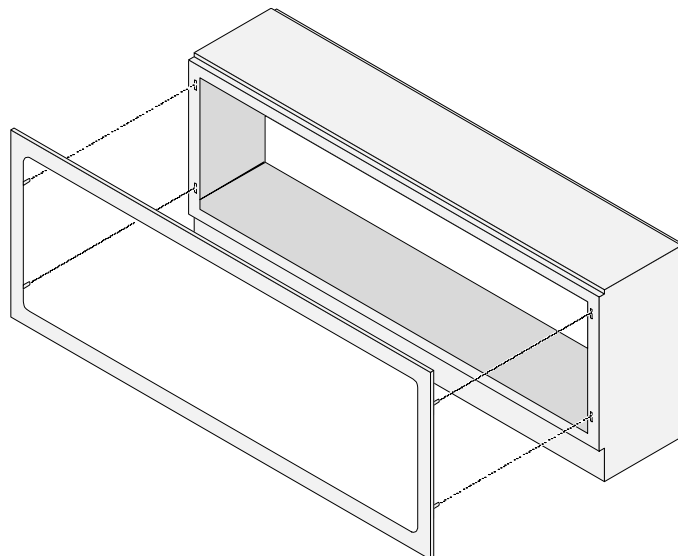


Figure 2